

LCC Modelling System

Small signal box interior kit

This kit includes elements which can be used to assemble small signal box interior kit.

All drawings are not in scale.

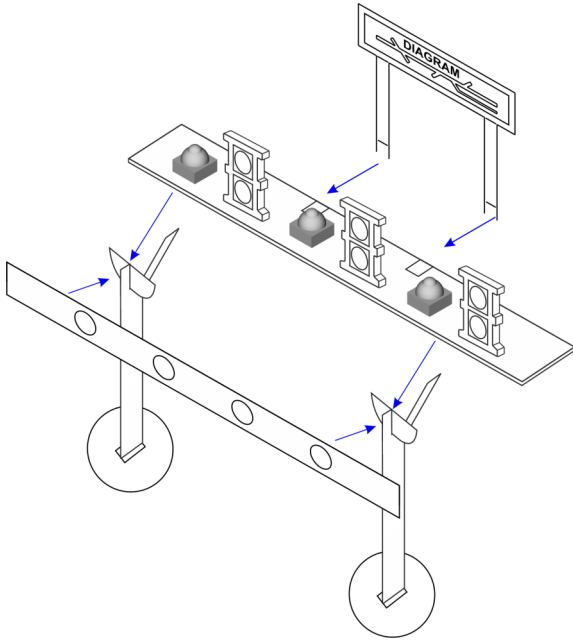
LCC Modelling System is flexible and you can make easy modification. Please visit our website at www.lcut.co.uk to shop for additional LCC elements.

! We recommend resin based glue for plastic parts and PVA or wood glue for fibre board parts.

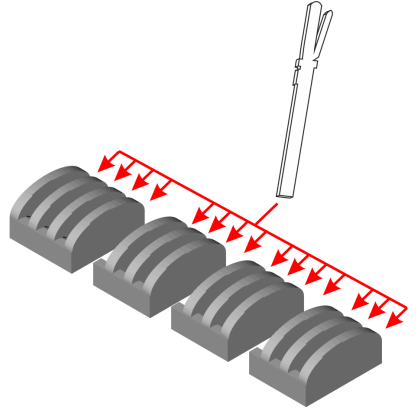
Kit contains:

- Block instrument shelf kit
- Lever frame with three extensions
- Four sets of levers
- Three instrument bells
- Three Instrument indicators
- Stove with chimney pipe and cap
- Coal box
- Desk
- Arm chair
- Wall clock

SHELF WITH INSTRUMENTS



LEVERS



STOVE

