

# LCC Modelling System

## B 70-14 Weight bridge

This kit includes elements which can be used to assemble a weighbridge.

Office:

Width: 83mm

Depth: 61mm

Height: 86mm

Total footprint:

Width: 114mm

Depth: 132mm

**All drawings are not in scale.**

LCC Modelling System is flexible and you can make easy modification. Please visit our website at [www.lcut.co.uk](http://www.lcut.co.uk) to shop for additional LCC elements.



We recommend PVA or any other paper/wood glue for the fibre board parts.

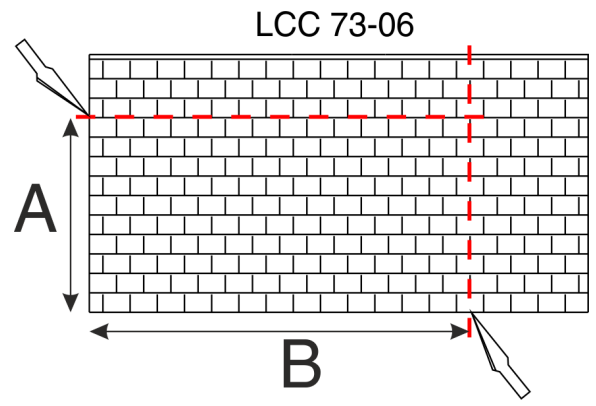
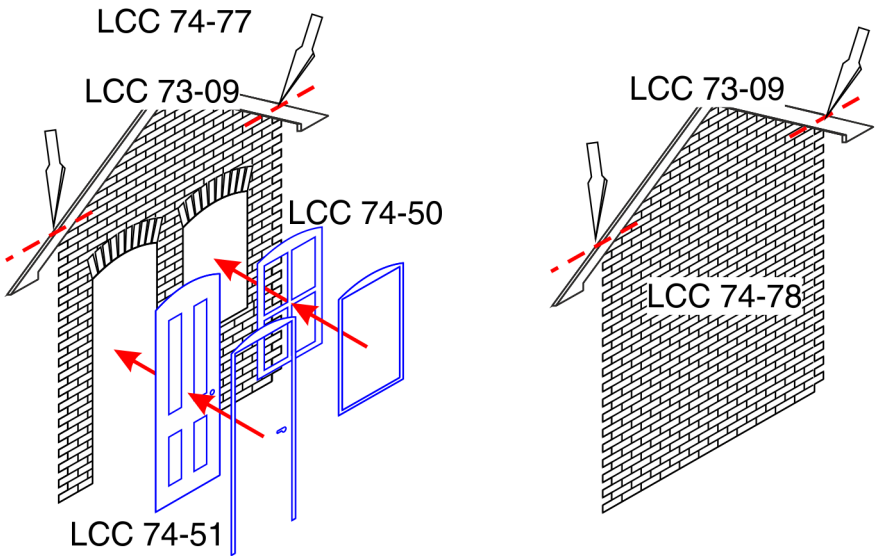
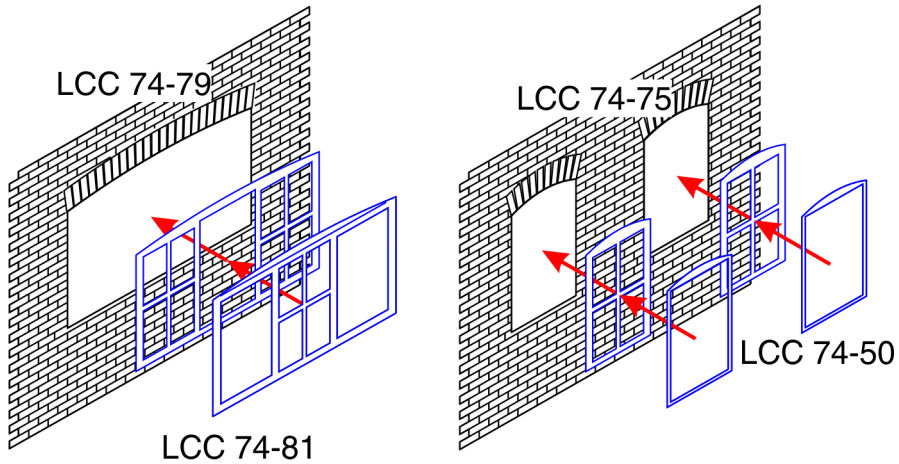
Painting recommendation:

We recommend using acrylic paints. There is no need to undercoat the surface but it can be done if desired. The material used is porous and relatively forgiving, heavy coats are unlikely to flood the brickwork.

Bundle contains:

- 1x LCC 70-09
- 2x LCC 73-06
- 2x LCC 73-09
- 1x LCC 74-50
- 1x LCC 74-51
- 1x LCC 74-77
- 1x LCC 74-78
- 1x LCC 74-79
- 1x LCC 74-80
- 1x LCC 74-81
- 1x LCC 74-82

WINDOWS, DOORS, AND GABLES



A: Length of slope on LCC 74-78 or LCC 74-77.

B: Width of the office (LCC 04-77) plus 2.4mm for gables.

! Always measure before cutting. Dry fit to ensure measurements are correct.

